

## Specification sheet LX 852

### Roof drainage systems made of aluminium, Series O

Main drainage

Gravity flow

Silent

Discharge rate:	7,7 l/sec
Water height:	45 mm
Roof penetration:	-
Diameter:	DN 125
LX-Number:	LX 852
Weir height:	0 mm
Drain:	ventilated
Downpipe:	not ventilated
Downpipe height:	4,2 m
Drainage:	in sewer

#### LX 852 Piece list

1 x Art.-No. choose drain on page two!

1 x Art.-No. 01401.125X, LORO-X Pipe with one socket

2 x Art.-No. 00300.125X, LORO-X Bend

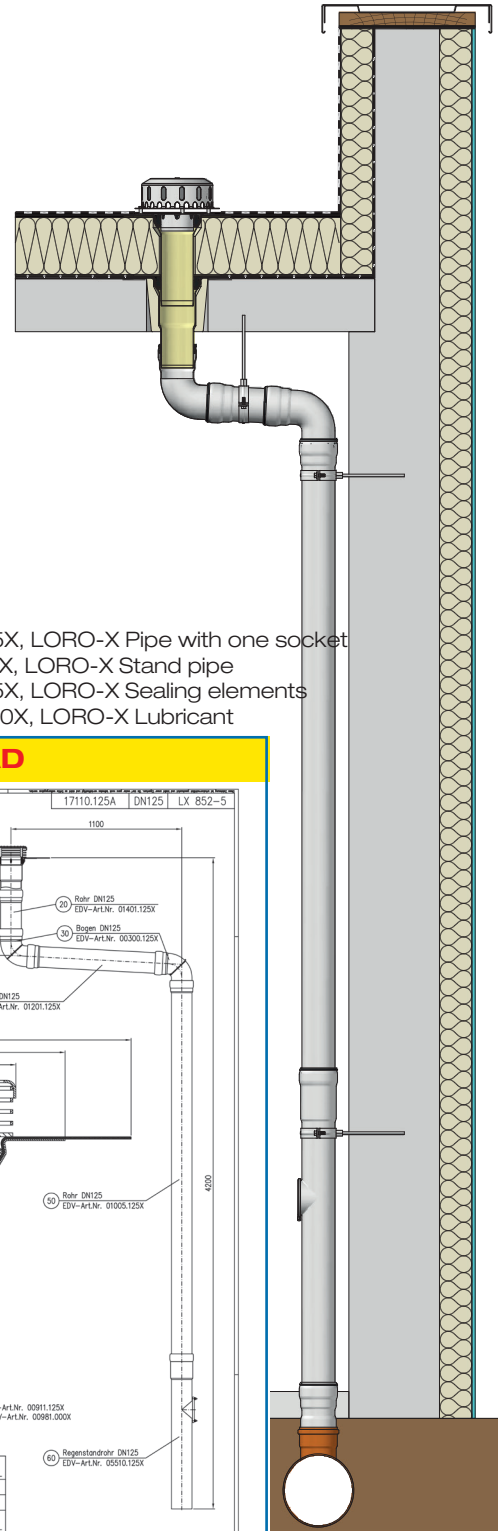
1 x Art.-No. 01201.125X, LORO-X Pipe with one socket

1 x Art.-No. 01005.125X, LORO-X Pipe with one socket

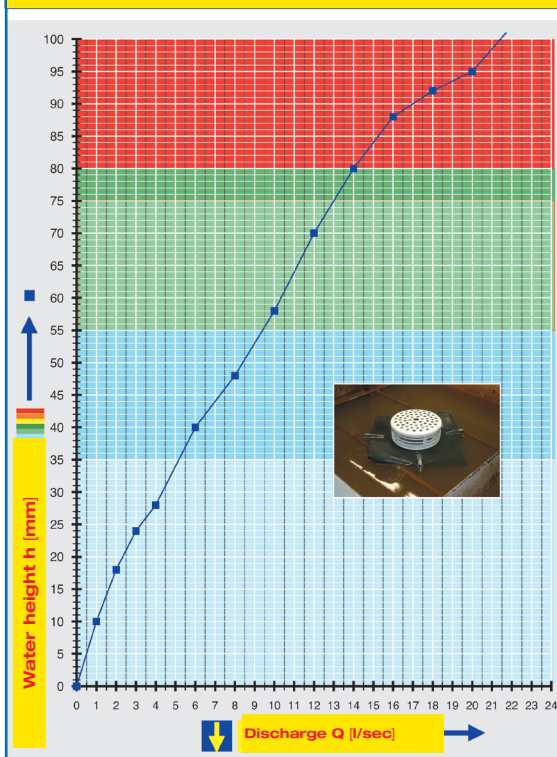
1 x Art.-No. 05510.125X, LORO-X Stand pipe

6 x Art.-No. 00911.125X, LORO-X Sealing elements

1 x Art.-No. 00986.000X, LORO-X Lubricant

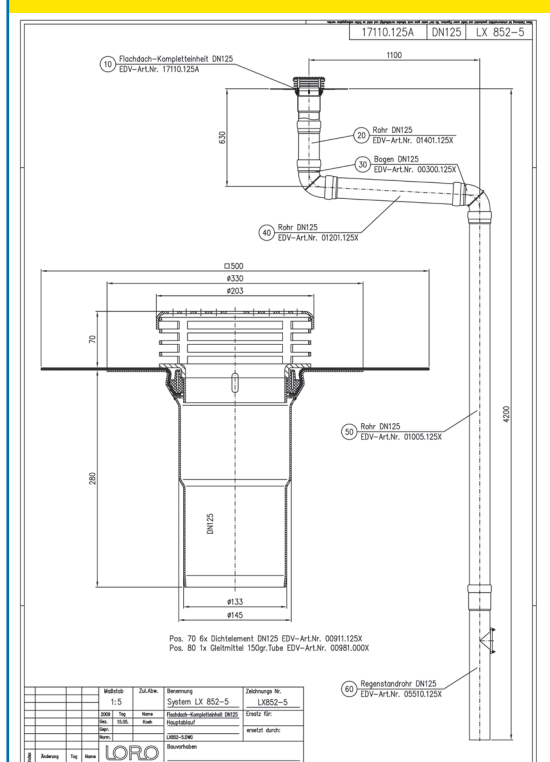


#### hQ - Head Discharge curve



Systempower

#### CAD



Systemshape

Water height	mm	5	10	15	20	25	30	35	40	45	50	55	60	65	70	75
Discharge	l/sec		1	1,8	2,3	3,1	4,3	5,6	6	7,7	8,5	9,4	10,3	11,2	12	13,1
<b>Silent Power</b>																

Choose drain for piece list on page one!

DN 125

**without thermal insulation**

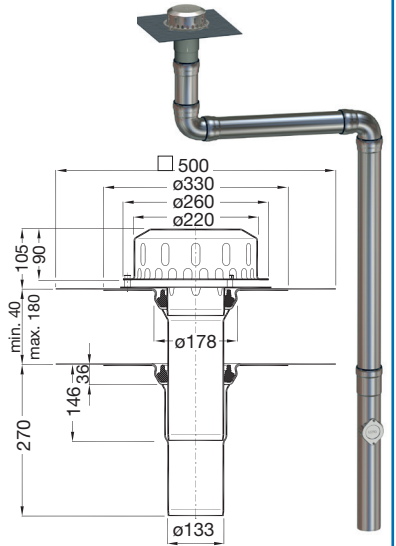
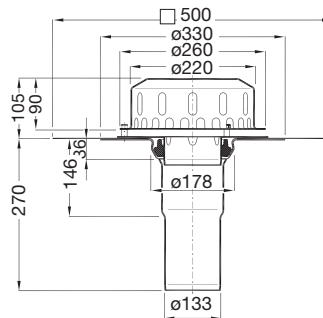
**LX852-5X**

Drain Art.-No. 17110.125A  
Series O  
**one-piece connection sleeve**



**LX852-6X**

Drain Art.-No. 17120.125A  
Series O  
**two-piece connection sleeve**



**with thermal insulation**

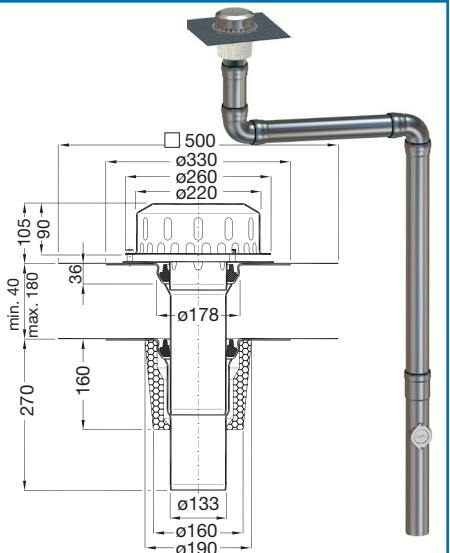
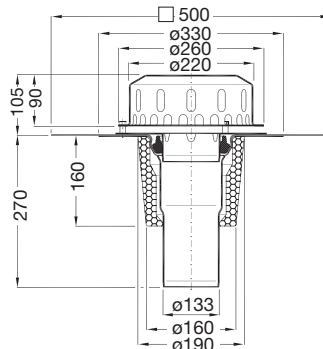
**LX852-7X**

Drain Art.-No.17141.125A  
Series O  
**one-piece connection sleeve**



**LX852-8X**

Drain Art.-No.17142.125A  
Series O  
**two-piece connection sleeve**



**with thermal insulation and heating**

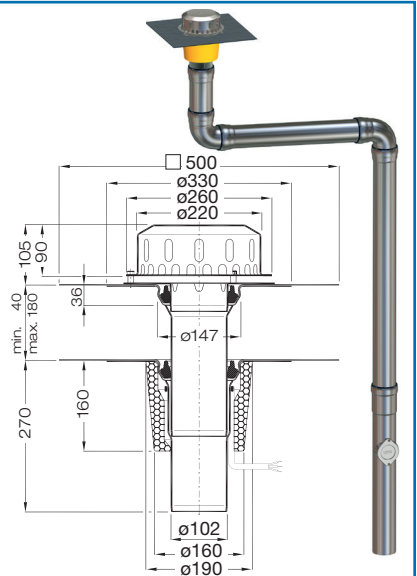
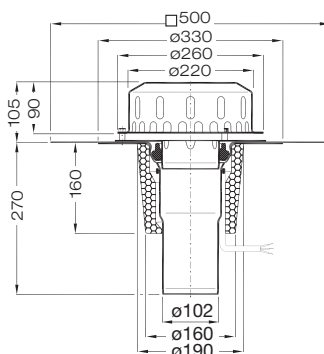
**LX852-9X**

Drain Art.-No. 17143.125A  
Series O  
**one-piece connection sleeve**



**LX852-10X**

Drain Art.-No. 17144.125A  
Series O  
**two-piece connection sleeve**



**Heat tracing:** Lorowerk recommends to check all drains and pipes with regard to their frost-sensibility. Where necessary, these parts should be upgraded with heat tracing.